



Hi-Rel By Design

39 Souhegan Street - P.O. Box 269, Wilton, New Hampshire 03086

TEL (603) 654-2002 FAX (603) 654-2533

email: sales@shp-seals.com - website: www.shp-seals.com

SMP CONNECTORS



Our SMP connectors are manufactured with unique processes and controls to assure compliance with all specified properties. Particular attention has been given to plating control to assure required plating thickness. Minimum plating on pins is guaranteed for wire and ribbon bonding. Limited plating on housing is assured to prevent gold embrittlement when soldering with Sn/Pb solders and also to preserve dimensional precision.

SMP SPECIFICATION

- | | |
|--------------------------|---|
| Body Material | - See Specific Part |
| Glass Seal | - Corning 7070 |
| Pin Material | - Iron Nickel Alloy |
| Standard Plating | - 50 microinches minimum GOLD per MIL-G-45204, Type III Grade A over 100-200 microinches Electroless NICKEL per MIL-C-26074 on body and pin. Other plating available. |
| Frequency | - Up to 40 GHz |
| Pin Launch Concentricity | - .004 TIR |
| Impedance | - 50 Ohm nominal |
| Engage/Disengage Force | - Per DSCC 94007 & DSCC 94008 |
| Connector Interface | - Per MIL-STD-348 |



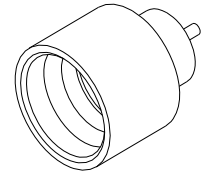
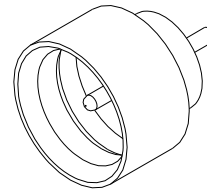
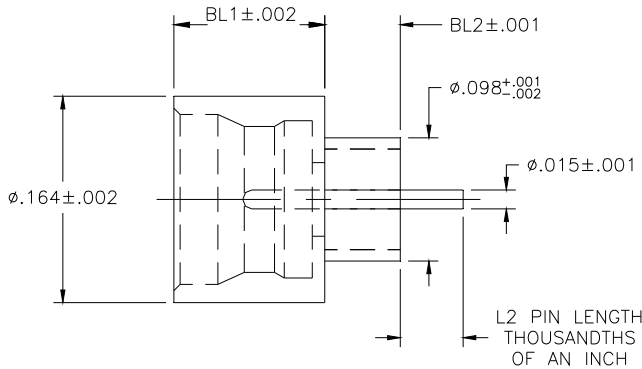
39 Souhegan Street - P.O. Box 269, Wilton, New Hampshire 03086

TEL (603) 654-2002 FAX (603) 654-2533

email: sales@shp-seals.com - website: www.shp-seals.com

SMP CONNECTORS

COMMON PUSH-ON



For superior performance when used in place of commonly available competitive devices. Consult SHP for application guidance.

PART NO.	O.D.	BL1	BL2	BODY MATERIAL
COMPO-1440x-xxxR-40	.145	.080	.040	ASTM-F15 (KOVAR)
COMPO-1460x-xxxR-40	.145	.080	.060	
COMPO-1640x-xxxR-40	.164	.120	.040	
COMPO-1660x-xxxR-40	.164	.120	.060	

- Indicate Detent (see note 1)
- L2 (Indicate Pin Length in thousandths)
- Radius Optional
- Standard Plating (Contact SHP for other plating options)

Example Part No: COMPO-1460F-055-40

NOTES: (1) Insert: F - Full Detent, L - Limited Detent, S - Smooth Bore

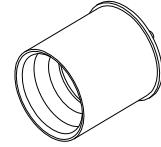
All dimensions are inches.



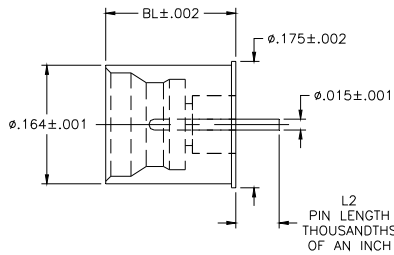
39 Souhegan Street - P.O. Box 269, Wilton, New Hampshire 03086
TEL (603) 654-2002 FAX (603) 654-2533
email: sales@shp-seals.com - website: www.shp-seals.com

SMP CONNECTORS

PATENTED
Canada Patent No. 1,318,371



ROBUST ALUMINUM COMPATIBLE



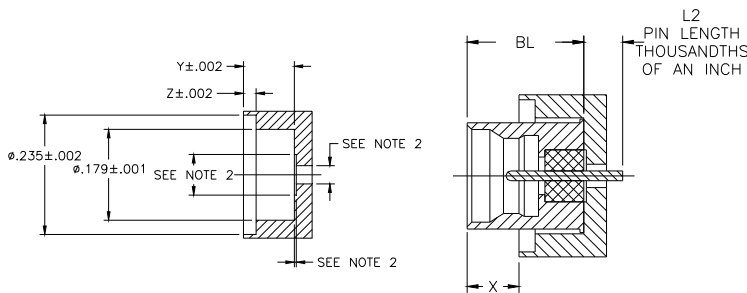
PART NO.	BL	BODY MATERIAL
RACPO-1700x-xxxR-40	.180	ALLOY 48
RACPO-1750x-xxxR-40	.160	

- Indicate detent (see note 1)
 - L2 (Indicate pin length in thousandths)
 - Radius optional
 - Standard plating
- (Contact SHP for other plating options)

Example Part No: RACPO-1700L-065-40

For robust performance and ease of assembly where space allows. Utilizes soft solders.

APPLICATION DATA



SERIES	PROTRUSION X	X ±.004	Y ±.002	Z ±.002
RACPO-1700	FLUSH	0	.185	.050
	ANY	SELECT	.185-X	Note 4
	MAX	.120	.065	.015

SERIES	PROTRUSION X	X ±.004	Y ±.002	Z ±.002
RACPO-1750	FLUSH	0	.165	.050
	ANY	SELECT	.165-X	Note 4
	MAX	.100	.065	.020

- NOTES:** (1) Insert: F - Full Detent, L - Limited Detent, S - Smooth Bore
(2) Customer specified.
(3) See bulletin 200 for solder preforms.
(4) Contact SHP for recommendations.

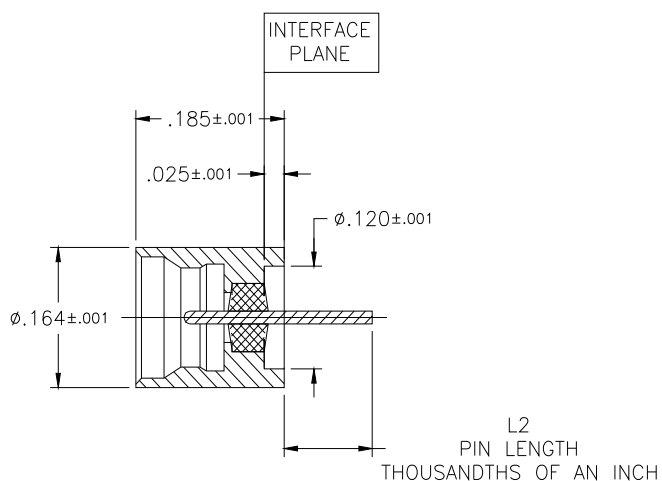
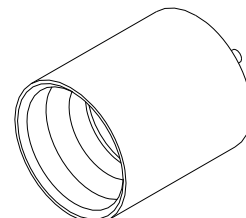
All dimensions are inches.



SMP CONNECTORS

PATENTED
US Patent No. 6,899,545 B2

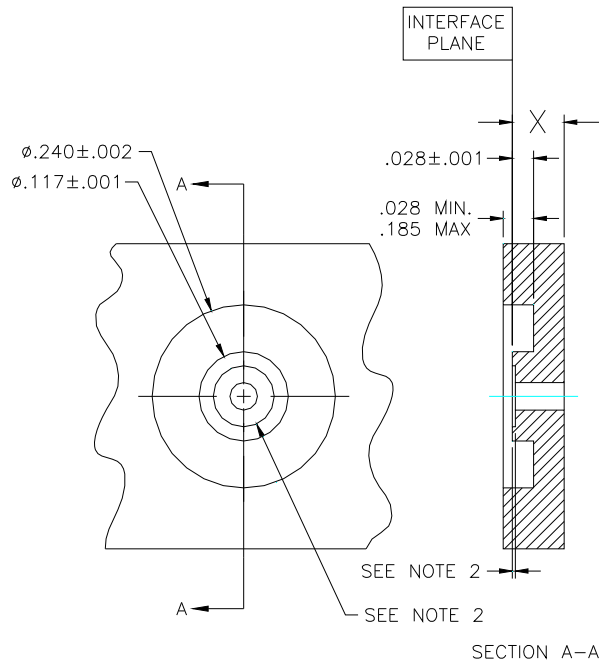
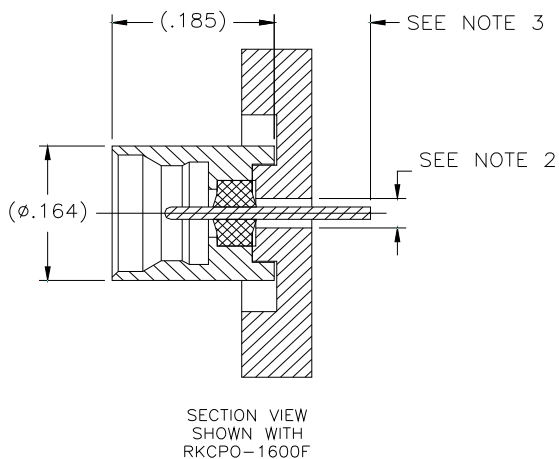
ROBUST KOVAR COMPATIBLE



PART NO.	BODY MATERIAL
RKCPO-1600x-xxxR-40	ALLOY 48

- Indicate Detent (see note 1)
- L2 (Indicate pin length in thousandths)
- Radius Optional
- Standard Plating (Contact SHP for other plating options)

Example Part No: RKCPO-1600F-050-40



Utilizes 80Au/20Sn solder.

- NOTES: (1) Insert: F - Full Detent, L - Limited Detent, or S - Smooth Bore
 (2) Customer specified.
 (3) Pin length = X - .025 + internal protrusion.
 (4) Contact SHP for solder preforms.

All dimensions are inches.