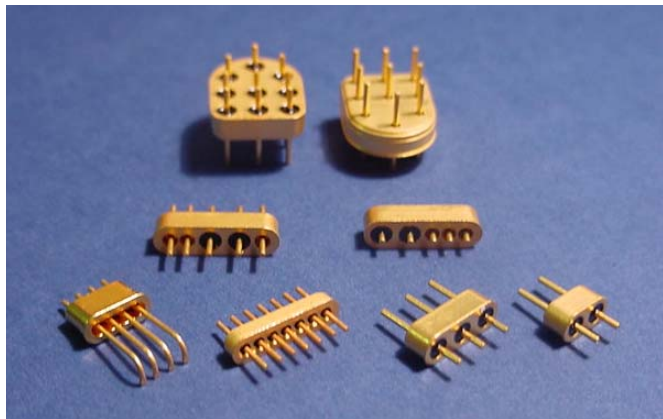




39 Souhegan Street - P.O. Box 269, Wilton, New Hampshire 03086
TEL (603) 654-2002 FAX (603) 654-2533
email: sales@shp-seals.com - website: www.shp-seals.com

ISO 9001:2008 Certified

**HERMETIC HEADERS
SOLDERABLE**



These miniature "Aluminum Compatible" headers provide high density hermetic feedthru arrays in DC, Capacitive or Hybrid arrangements. The design allows for highly reliable soldering in aluminum and other high expansion materials intended for severe thermal environments. Rugged pins allow for soldering or wire/ribbon bonding to sides or ends⁽⁶⁾. Available in standard configurations shown herein and special configurations, tailored to customer needs. Parts also available for low expansion materials...call us for information.

SPECIFICATION

- Designed to MIL-F-15733
- Material - Steel
- Insulation - Glass
- Finish - 50 microinches minimum GOLD per MIL-G-45204, Type III, Grade A over 200-400 microinches NICKEL per MIL-C-26074
- Leak Rate - Less than 1 X 10⁻⁸ cc/sec @ 1 ATM (He).
- Maximum Temperature - 250°C
- DWV (pin to ground) - 250 VDC HH50A series, all others 500 VDC
- DWV (Cap) - 50 VDC (higher available)
- Capacitance - up to 10,000 pF GMV (+ 100% / - 0)
- Insulation Resistance - 1,000 meg ohm-mfd @ 25°C
- Dissipation Factor - Less than 3%

STANDARD HEADERS⁽⁷⁾

PART NO.		OTHER DIMENSIONS			MATERIAL			
Series	No. of Pins ⁽²⁾	L1 ±.005 (3)(6)	L2 ±.005 (3)(6)	Plating Code ⁽⁴⁾	Pin Diameter ⁽¹⁾	Pin Spacing o.c.	Glass	Body & Pin
HH50Axx	xP	xxx	xxx	02	.018, .020	2 thru 9	9013	Steel
HH60xx	xP	xxx	xxx	02	.018, .020, .025	2 thru 7		
HH2Mxx	xP	xxx	xxx	02	.020, .025	2 thru 6		
HH80xx	xP	xxx	xxx	02	.020, .025	2 thru 6		
HH100xx	xP	xxx	xxx	02	.020, .025, .030	2 thru 4		
CAP & HYBRIDS	Call for ordering information							

Example Part No: HH8025-4P-125-250-02

- NOTES:**
- (1) Insert pin diameter in thousandths in series.
 - (2) Insert pin quantity
 - (3) Insert L1 and L2 pin lengths in thousandths.
 - (4) Standard plating - others available
 - (5) Standard pin termination is straight-cut. See Bulletin 100, page 3 for special pin terminations.
 - (6) Please specify at time of quote if you intend to wire bond to ends of pins.
 - (7) See Bulletin 220 for solder performs.

All dimensions are inches.



39 Souhegan Street - P.O. Box 269, Wilton, New Hampshire 03086
 TEL (603) 654-2002 FAX (603) 654-2533
 email: sales@shp-seals.com - website: www.shp-seals.com

ISO 9001:2008 Certified

**HERMETIC HEADERS
 SOLDERABLE**

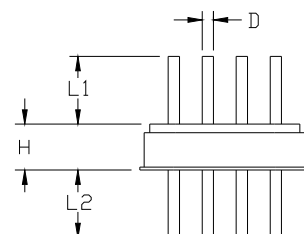
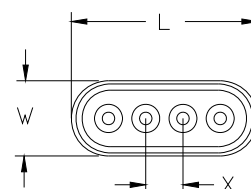
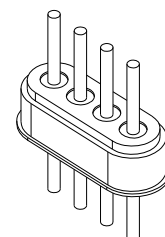
		Series Prefix - HH50A										
	DIM	NO. PINS	2P	3P	4P	5P	6P	7P	8P	9P	> 9P ⁽²⁾	
.050 OC	DIM	L (±.002)	.160	.210	.260	.310	.360	.410	.460	.510	(1)	
		W	.110±.002									
		H	.060 ±.002									
		D	.018, .020 ±.0015									
		X	.050 ±.003 Non-cumulative									
		L1/L2	Specify length in thousandths ±.005									

		Series Prefix - HH60								
	DIM	NO. PINS	2P	3P	4P	5P	6P	7P	> 7P ⁽²⁾	
.060 OC	DIM	L (±.002)	.180	.240	.300	.360	.420	.480	(1)	
		W	.120 ±.002							
		H	.080 ±.002							
		D	.018, .020, .025 ±.0015							
		X	.060 ±.003 Non-cumulative							
		L1/L2	Specify length in thousandths ±.005							

		Series Prefix - HH2M							
	DIM	NO. PINS	2P	3P	4P	5P	6P	> 6P ⁽²⁾	
2mm OC (.0787)	DIM	L (±.002)	.200	.280	.360	.440	.520	(1)	
		W	.120 ±.002						
		H	.080 ±.002						
		D	.020, .025 ±.0015						
		X	.0787 ±.003 Non-cumulative						
		L1/L2	Specify length in thousandths ±.005						

		Series Prefix - HH80							
	DIM	NO. PINS	2P	3P	4P	5P	6P	> 6P ⁽²⁾	
.080 OC	DIM	L (±.002)	.200	.280	.360	.440	.520	(1)	
		W	.120 ±.002						
		H	.080 ±.002						
		D	.020, .025 ±.0015						
		X	.080 ±.003 Non-cumulative						
		L1/L2	Specify length in thousandths ±.005						

		Series Prefix - HH100					
	DIM	NO. PINS	2P	3P	4P	> 4P ⁽²⁾	
.100 OC	DIM	L (±.002)	.250	.350	.450	(1)	
		W	.150 ±.002				
		H	.080 ±.002				
		D	.020, .025, .030 ±.0015				
		X	.100 ±.003 Non-cumulative				
		L1/L2	Specify length in thousandths ±.005				



NOTE: (1) Contact SHP for specifications.

(2) Pin counts shown are standard & maximum for full military temp environment (-65°C to +125°C). Higher pin counts can be provided for reduced environments. Call SHP for guidance.

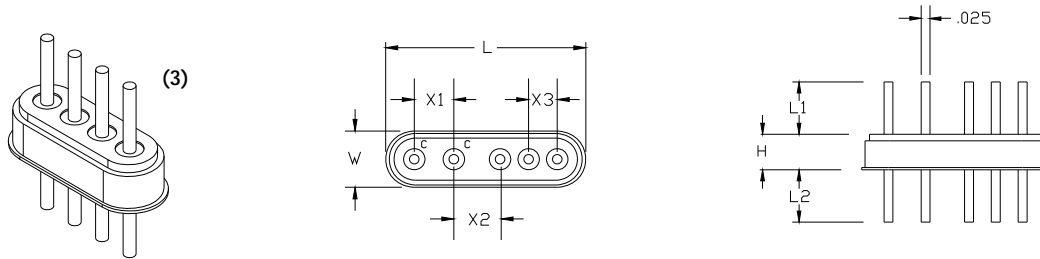
All dimensions are inches.



39 Souhegan Street - P.O. Box 269, Wilton, New Hampshire 03086
 TEL (603) 654-2002 FAX (603) 654-2533
 email: sales@shp-seals.com - website: www.shp-seals.com

ISO 9001:2008 Certified

**HERMETIC HEADERS
 SOLDERABLE**



		Series - Prefix HHCA-			
		No. Pins	2P	3P	4P
CAPS	DIM.	L (±.002)	.260	.380	.500
		W	.140 (±.002)		
		H	.125(±.002)		
		D	.025 (±.0015)		
		X	.120 ±.003 non-cumulative		
		L1/L2±.005	Specify length in thousandths		

		Series - Prefix HHHY-					
		No. Pins	2P	3P	4P	5P	6P
HYBRID (DC & Caps)	1 CAP	L (±.002)	.232 ⁽²⁾	.300 ⁽²⁾	.368 ⁽²⁾	.436 ⁽²⁾	.501 ⁽²⁾
		W	.140 (±.002)				
		H	.125(±.002)				
		D	.025 (±.0015)				
		X ₁ /X ₂ /X ₃	X ₁ = .115, X ₂ = .092, X ₃ = .068 ±.003 non-cumulative				
		L1/L2±.005	Specify length in thousandths				
	2 CAPS	No. Pins		3P	4P	5P	
		L (±.002)		TBD	TBD	TBD	
		W		.140 (±.002)			
		H		.125 (±.002)			
		D		.025 (±.0015)			
		X ₁ /X ₂ /X ₃		X ₁ = .115, X ₂ = .092, X ₃ = .068 ±.003 non-cumulative			
L1/L2±.005		Specify length in thousandths					

- NOTES: (1) X₁/X₂/X₃ are minimums and are standard. Other spacing available within maximum overall length shown.
 (2) This length will vary depending on arrangement of capacitors in header.
 (3) Shown with straight-cut pins. See Bulletin 100, page 3 for other pin terminations.

All dimensions are inches.



39 Souhegan Street - P.O. Box 269, Wilton, New Hampshire 03086
TEL (603) 654-2002 FAX (603) 654-2533
email: sales@shp-seals.com - website: www.shp-seals.com

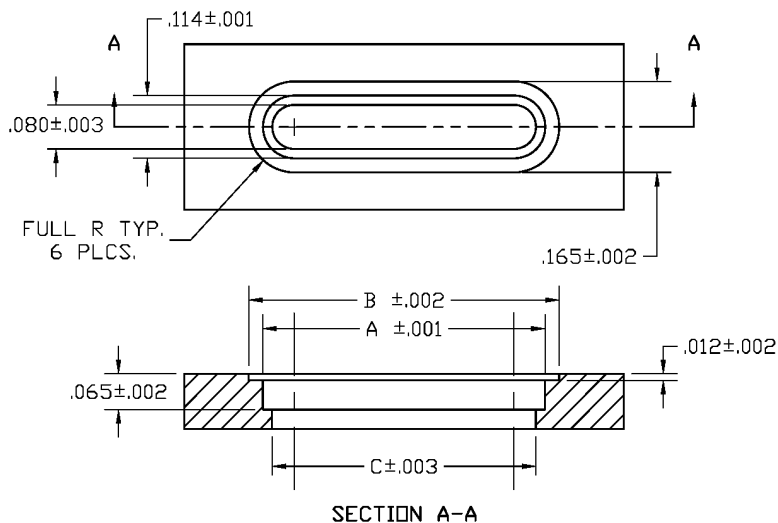
ISO 9001:2008 Certified

HERMETIC HEADERS
SOLDERABLE

APPLICATION DATA (1)

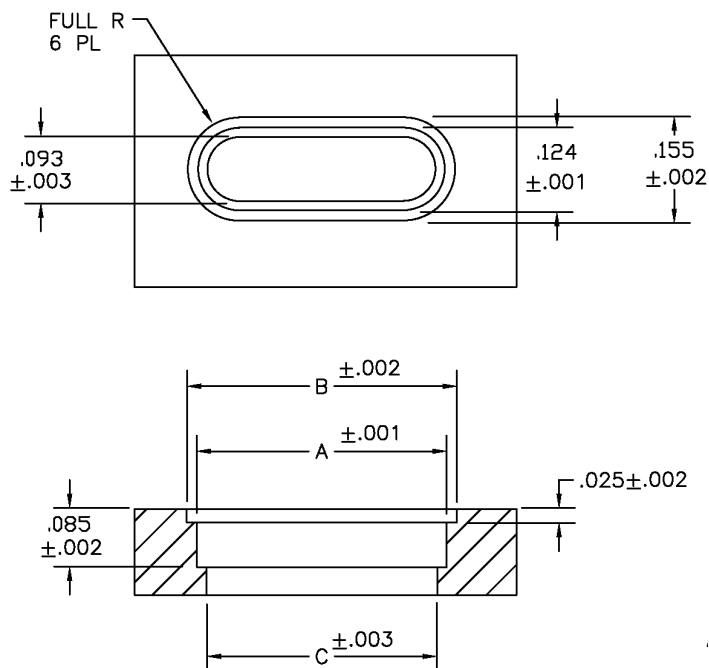
HH50A SERIES

PINS	A	B	C
2	.164	.215	.130
3	.214	.265	.180
4	.264	.315	.230
5	.314	.365	.280
6	.364	.415	.330
7	.414	.465	.380
8	.464	.515	.430
9	.514	.565	.480



HH60 SERIES

PINS	A	B	C
2	.184	.215	.153
3	.244	.275	.213
4	.304	.335	.273
5	.364	.395	.333
6	.424	.455	.393
7	.484	.515	.453



NOTE: (1) All dimensions are after plating.

All dimensions are inches.



39 Souhegan Street - P.O. Box 269, Wilton, New Hampshire 03086
 TEL (603) 654-2002 FAX (603) 654-2533
 email: sales@shp-seals.com - website: www.shp-seals.com

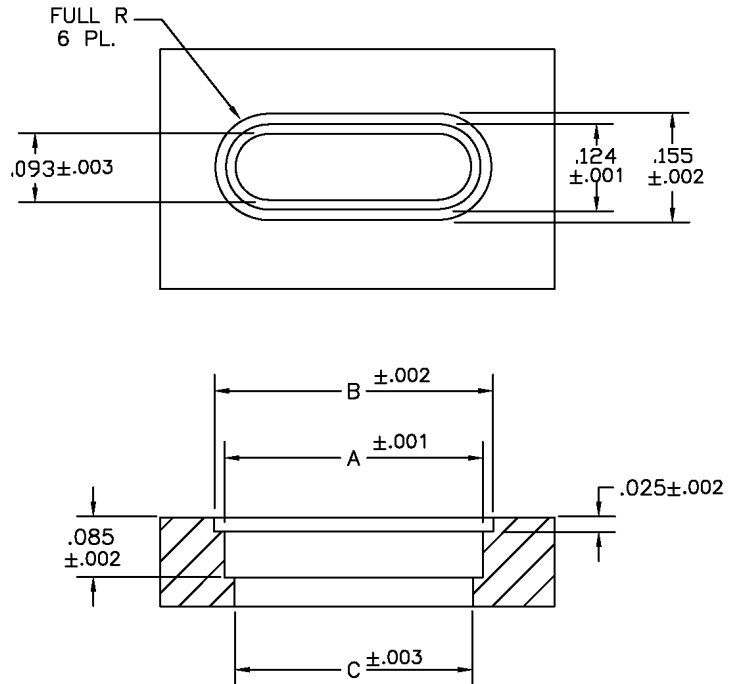
ISO 9001:2008 Certified

**HERMETIC HEADERS
 SOLDERABLE**

APPLICATION DATA (1)

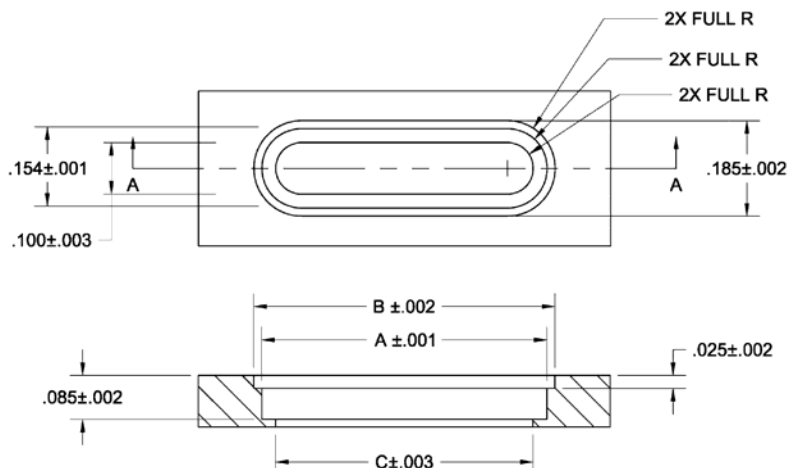
HH80/HH2M SERIES

PINS	A	B	C
2	.204	.235	.173
3	.284	.315	.253
4	.364	.395	.333
5	.444	.475	.413
6	.524	.555	.493



HH100 SERIES

PINS	A	B	C
2	.254	.285	.200
3	.354	.385	.300
4	.454	.485	.400



SECTION A-A

NOTE: (1) All dimensions are after plating.

All dimensions are inches.



39 Souhegan Street - P.O. Box 269, Wilton, New Hampshire 03086
TEL (603) 654-2002 FAX (603) 654-2533
email: sales@shp-seals.com - website: www.shp-seals.com

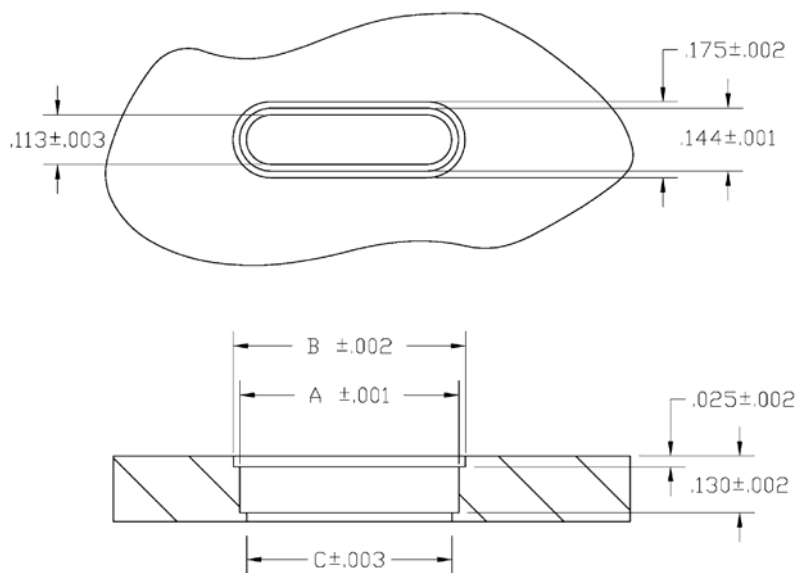
ISO 9001:2008 Certified

**HERMETIC HEADERS
SOLDERABLE**

APPLICATION DATA (1)

HHCA SERIES

PINS	A	B	C
2	.264	.295	.234
3	.384	.415	.354
4	.504	.535	.474



NOTE: (1) All dimensions are after plating.

All dimensions are inches.