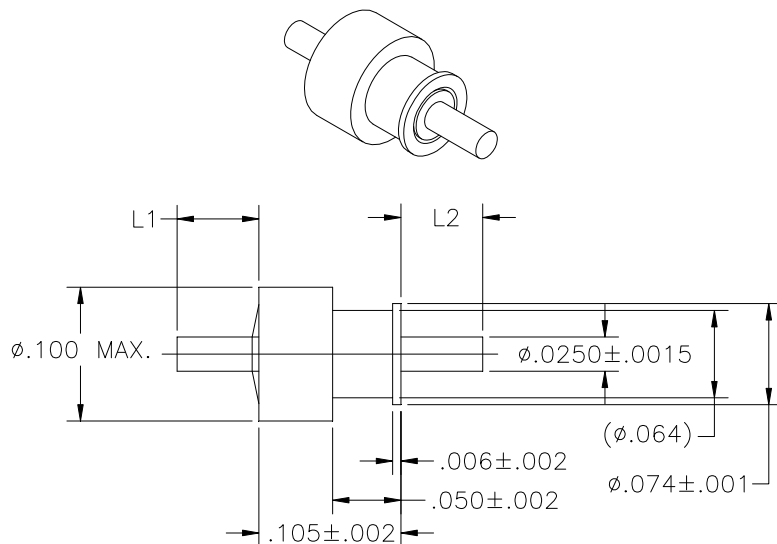




**HERMETIC CAPACITORS
74B25 Series**



ALUMINUM COMPATIBLE

Designed to MIL-F-15733, our compact design is mountable on .100 inch centers and can be provided with radius pins for connector mating. Available in capacitance values up to 5,000 pF GMV (+100% / -0). (See Bulletin 704 for 10,000 pF).

SPECIFICATIONS	
Voltage Rating	50 VDC (higher available)
Current Rating	5 Amps Max
Insulation Resistance	Greater than 1.5 G Ω @ 25°C
Dissipation Factor	Less than 3%
Max. Temp. ⁽⁴⁾ / Min. Temp. ⁽⁵⁾ / Operating Range	250°C / -65°C / -55°C to +125°C
Leak Rate	Less than 1 X 10 ⁻⁸ cc/sec @ 1 atm (He)

PART NO.					MATERIAL		
CAPACITANCE VALUE (1)	SERIES	L1 $\pm .005$ (3)	L2 $\pm .005$ (3)	PLATING CODE (2)	GLASS	FERRULE	PIN
Cxxx	74B25	xxx	xxx	02	9013	Steel	Steel

Example Part No: C502-74B25-225-075-02

- NOTES: (1) Specify capacitance value. Enter first two digits of value then the number of zeros that follow. Example: C502 equals 5,000pF.
 (2) Standard plating is 50 microinches minimum GOLD per MIL-G-45204, Type III, Grade A over 200-400 microinches NICKEL per MIL-C-26074. Plating thickness is measured on pin.
 (3) Standard pin termination is straight-cut. Special pin terminations are also available (See Bulletin 100, pg 3).
 (4) Short term process temperature.
 (5) Storage temperature.
 (6) See Bulletin 200 for solder preforms.

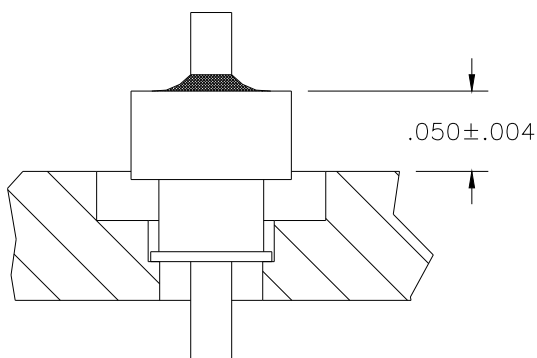
All dimensions are inches.



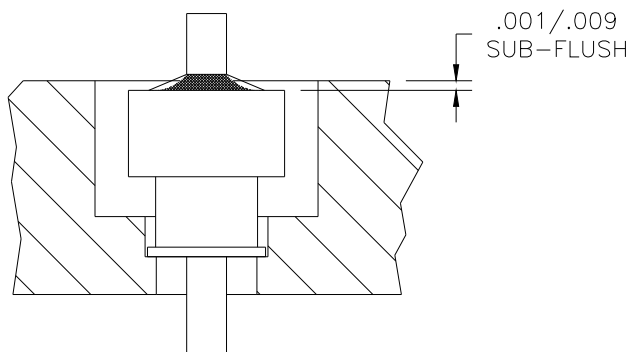
**HERMETIC CAPACITORS
74B25 Series**

APPLICATION DATA

PROTRUDING MOUNT



FLUSH MOUNT



HOUSING PREPARATION	
PROTRUDING MOUNT	FLUSH MOUNT
DRILL .063 ±.002 THRU C'BORE .077 ±.001 DIA. x .055 ±.002 DP. C'BORE .140 ±.002 DIA. x .030 ±.002 DP.	DRILL .063 ±.002 THRU C'BORE .077 ±.001 DIA. x .110 ±.002 DP. C'BORE .140 ±.002 DIA. x .085 ±.002 DP.

All dimensions are inches.