



39 Souhegan Street - P.O. Box 269, Wilton, New Hampshire 03086

TEL (603) 654-2002 FAX (603) 654-2533

email: sales@shp-seals.com - website: www.shp-seals.com

**HERMETIC
SUBMINIATURE D CONNECTORS**

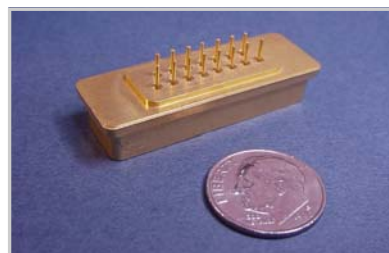
PATENTED
Canada Patent No. 1,318,371

**ALUMINUM COMPATIBLE
SOLDERABLE AND WELDABLE
Interface per MIL-C-24308A**

These aluminum compatible connectors are designed with a unique construction for the assurance of reliable hermetic performance in rigorous thermal cyclic environments. These

SPECIFICATION	SOLDERABLE & WELDABLE
TEMPERATURE	-65°C to +200°C
DWV (Pin to Ground)	500 Vdc @ S.L.
CONTACT RATING	5 Amps
LEAK RATE	Less than 1 X 10 ⁻⁸ cc/sec at 1 ATM He
MECHANICAL	Interface per MIL-C-24308A
CONTACT MATERIAL	Steel
CONTACT PLATING	50 microinches minimum GOLD per MIL-C-45204 Type III, Grade A over 300-400 microinches NICKEL per MIL-C-26074
CONTACT DIAMETER	.040 inches
THREADED INSERT	Stainless Steel

connectors provide for low strain between the connector body and the aluminum housing to which they are attached assuring a long, reliable cyclic life for the assembly solder or weld joint.



HOUSING APPLICATION	ATTACHMENT METHOD	PART NUMBER	PIN CONFIG	CONNECTOR BODY MATERIAL	SHELL FINISH (2)
ALUMINUM	Laser Weld	HSMHE-1WD-xP-SSC-C1	9, 15, 25, 37	4047	CHROMATE
	Solder	HSMHE-1SD-xP-SSC-G1		6061	GOLD

Part Number

Example Part No: HSMHE-1WD-9P-SSC-G1

SERIES

CONFIGURATION

- 1SD - Standard Solderable
- 1WD - Standard Laser Weldable

PIN CONFIGURATION

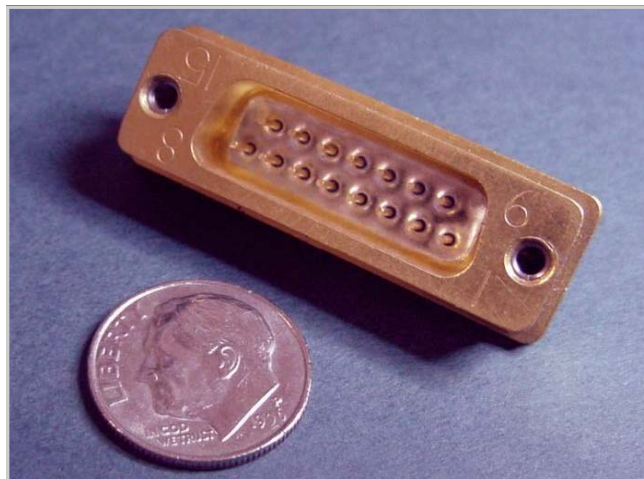
9, 15, 25, 37

TERMINATION CONFIGURATION

SSC - Standard Straight Cut

PLATING CODE

- G1 - Gold
- C1 - Chromate





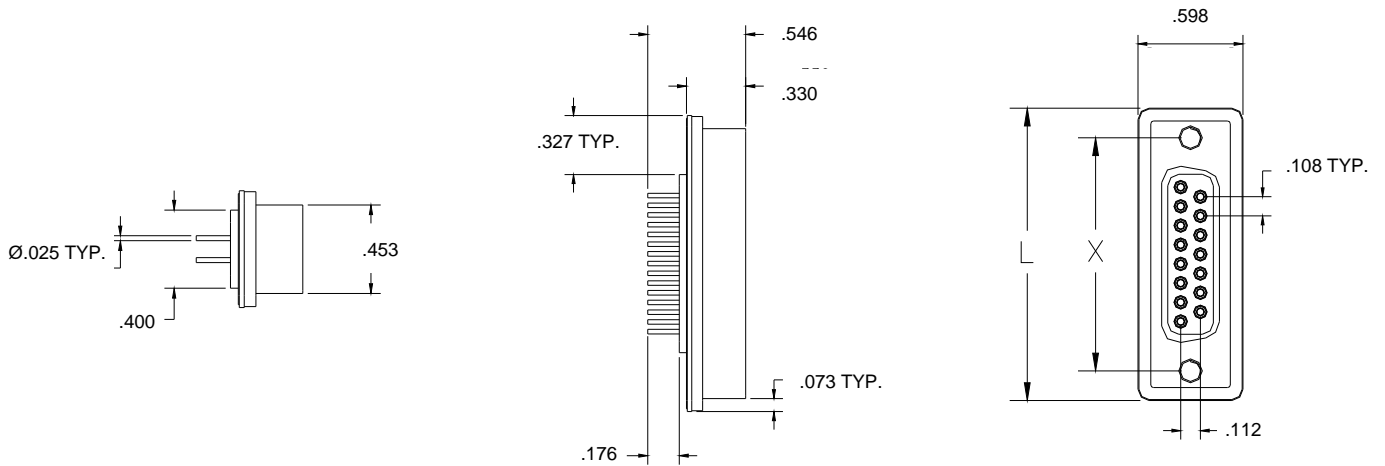
39 Souhegan Street - P.O. Box 269, Wilton, New Hampshire 03086

TEL (603) 654-2002 FAX (603) 654-2533

email: sales@shp-seals.com - website: www.shp-seals.com

**HERMETIC
SUBMINIATURE D CONNECTORS**

SOLDERABLE



OTHER DIMENSIONS		
PINS	X	L
9	.984	1.320
15	1.312	1.645
25	1.852	2.185
37	2.500	2.833

All dimensions are in inches.



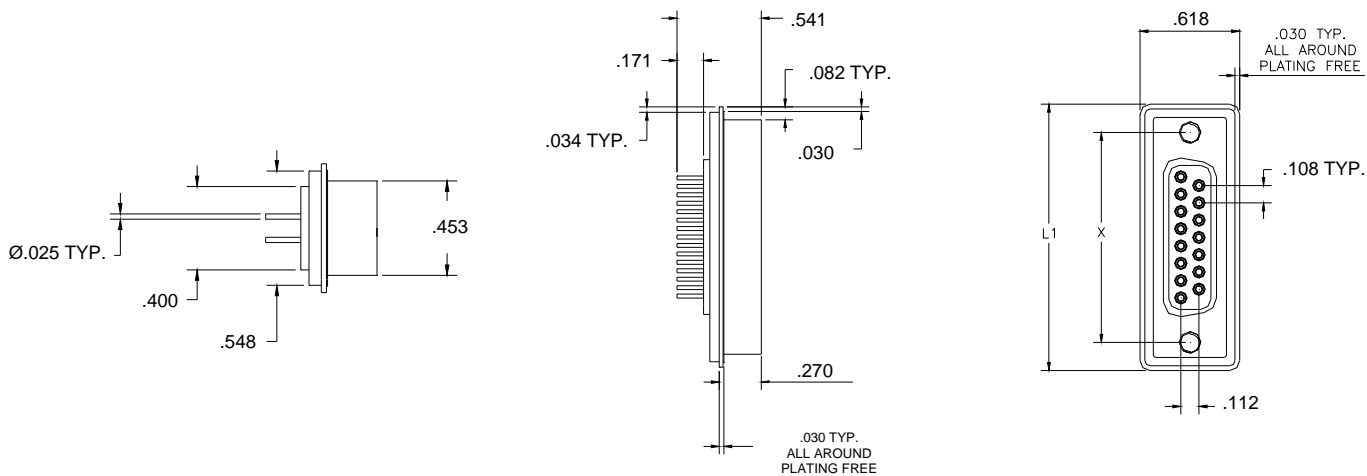
39 Souhegan Street - P.O. Box 269, Wilton, New Hampshire 03086

TEL (603) 654-2002 FAX (603) 654-2533

email: sales@shp-seals.com - website: www.shp-seals.com

**HERMETIC
SUBMINIATURE D CONNECTORS**

LASER WELDABLE



OTHER DIMENSIONS		
PINS	X	L
9	.984	1.340
15	1.312	1.665
25	1.852	2.205
37	2.500	2.853

All dimensions are in inches.