



39 Souhegan Street - P.O. Box 269, Wilton, New Hampshire 03086

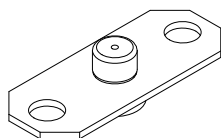
TEL (603) 654-2002 FAX (603) 654-2533

email: sales@shp-seals.com - website: www.shp-seals.com

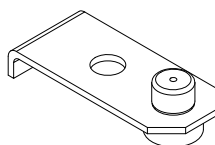
SOLDERING FIXTURES

**UNIVERSAL FIXTURING SYSTEM
FOR
BATCH SOLDERING FEEDTHRU**

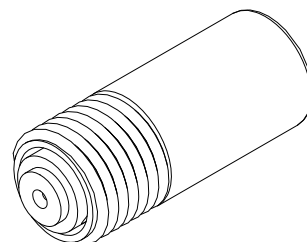
- Positive Positioning of Feedthru
- Positive Positioning of Preform
- Assured Ventilation for Outgassing
- Low Thermal Capacitance
- Compatible with All Batch Soldering Processes
- Maximum Temperature 350°C



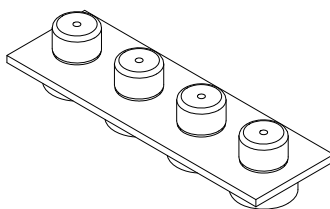
RF-CLIP



RF-QUICKIE CLIP



RF-SPARK PLUG



STRIP



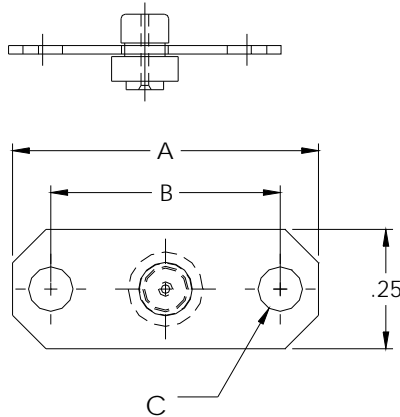
39 Souhegan Street - P.O. Box 269, Wilton, New Hampshire 03086

TEL (603) 654-2002 FAX (603) 654-2533

email: sales@shp-seals.com - website: www.shp-seals.com

SOLDERING FIXTURES

RF-CLIP (2)



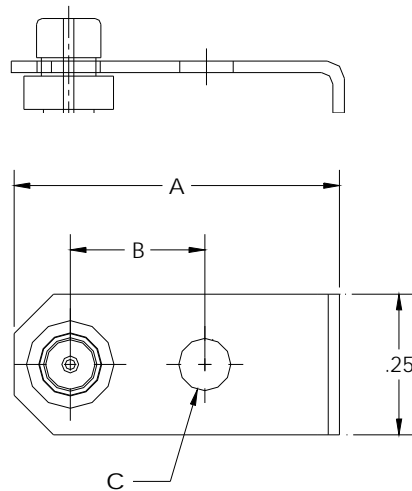
DESCRIPTION

PART NUMBER

<u>A</u>	<u>B</u>	<u>C</u>	
.640	.480	.093	SPFCL-480-256-xxxx ⁽¹⁾
.550	.400	.068	SPFCL-400-080-xxxx ⁽¹⁾
.500	.353	.093	SPFCL-353-256-xxxx ⁽¹⁾
.500	.353	.068	SPFCL-353-080-xxxx ⁽¹⁾
.500	.328	.093	SPFCL-328-256-xxxx ⁽¹⁾
.420	.282	.068	SPFCL-282-080-xxxx ⁽¹⁾

Example Part No: SPFCL-480-256-9815

RF-QUICKIE CLIP (2)



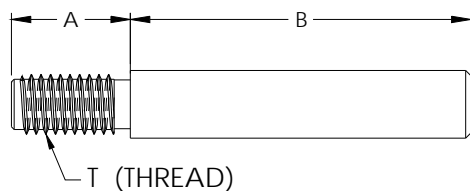
DESCRIPTION

PART NUMBER

<u>A</u>	<u>B</u>	<u>C</u>	
.580	.240	.093	SPFCL-240-256-xxxx ⁽¹⁾
.500	.200	.068	SPFCL-200-080-xxxx ⁽¹⁾
.450	.176	.093	SPFCL-176-256-xxxx ⁽¹⁾
.450	.176	.068	SPFCL-176-080-xxxx ⁽¹⁾
.400	.141	.068	SPFCL-141-080-xxxx ⁽¹⁾

Example Part No: SPFCL-240-256-9815

THUMB SCREW



DESCRIPTION

PART NUMBER

<u>A</u>	<u>B</u>	<u>I</u>	
.150	.620	#2-56-UNC-2A	SPFSC-150-256
.150	.500	#0-80-UNC-2A	SPFSC-150-080

- NOTES: ⁽¹⁾ Specify feedthru series to be utilized
⁽²⁾ Screws are provided with clips and need not be ordered separately.

All dimensions are inches.



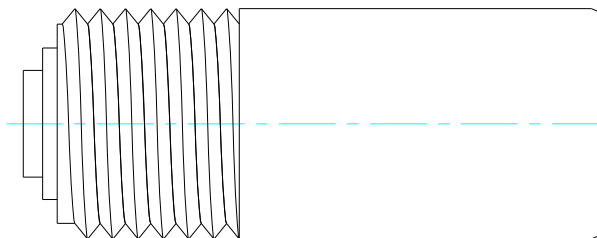
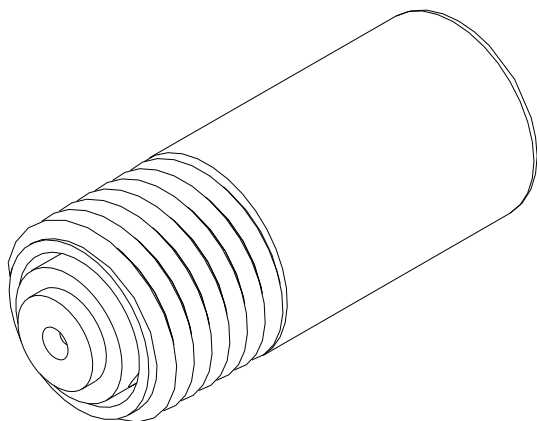
39 Souhegan Street - P.O. Box 269, Wilton, New Hampshire 03086

TEL (603) 654-2002 FAX (603) 654-2533

email: sales@shp-seals.com - website: www.shp-seals.com

SOLDERING FIXTURES

RF-SPARK PLUG



THREAD SIZE	PART NO.
.250-36 UNS-2B	SPFSP-25036A-xxxx ⁽¹⁾
.190-48 UNS-2B	SPFSP-19048A-xxxx ⁽¹⁾

Example Part No. SPFSP-19048A-9815

NOTE: ⁽¹⁾ Specify feedthru series number in place of xxxx.